

Produzione Imballaggi
Impermeabili ermetici
protettivi e anticorrosivi



THE BARRIER PROTECTION AGAINST MOISTURE

PURPOSE

**PROTECTION OF GOODS, MACHINERY,
EQUIPMENT, ETC...**

**IT IS THE PERFECT PACKAGING IN ORDER
TO PROTECT YOUR GOODS FROM
WEATHER, LONG STORAGE PERIOD AND
SEA TRANSPORT KEEPING YOUR
PRODUCTS SAFE AND FUNCTIONAL.
OUR MATERIALS ARE IN COMPLIANCE
WITH MIL../TL.. SPECIFICATIONS.**

Sicurpack " 86 "



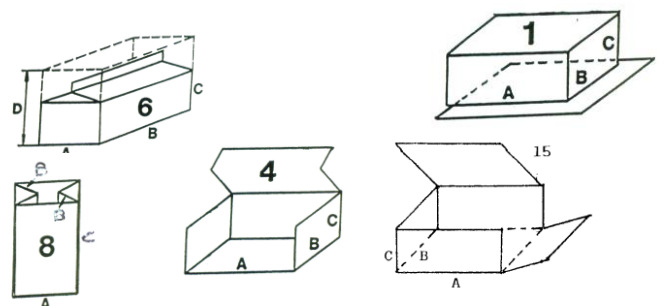
FEATURES

**OUR ALUMINIUM BARRIER FILM
SICURPACK 86 IS A MULTI-LAYER FILM
WITH HIGH TECHNOLOGICAL FEATURES
WHICH MIX:**

- **HIGH MALLEABILITY,**
WHICH ALLOWS TO MOULD THE COVER
ON THE GOOD SHAPE / STRUCTURE
WITH VACUUM SYSTEM
- **PERMEABILITY**
TO WATER VAPOUR INCREDIBLY LOW,
WITH A MINIMUM LEVEL OF
TRANSPARATION WHICH ENSURE THE
VACUUM CONDITION FOR A LONG
PERIOD.

Production

- available in rolls up to 160cm width
- Production of center-folded
rolls, tubular rolls, bags or envelopes
- Production of bags with personalized
shapes and dimensions



*Produzione Imballaggi
Impermeabili ermetici
protettivi e anticorrosivi*



How to Use it

Aluminium barrier film Sicurpack 86, once placed on the good, must be sealed hermetically and, in order to reduce at most the interior moisture, vacuum is needed.

WARNINGS

Round or plump every projection, both of the good and the support, in order to avoid any hole.

Put inside, in different places beginning from the top of the structure, desiccant bags which have the meaning of absorbing any trace of water inside the closed packaging. Quantity of desiccant bags needed is calculated generally in: 1 bag for 1 cubic meter will protect products for 1 year.

This calculation can change depending on which climatic conditions encountered.

TECHNICAL DATA "SICURPACK 86"

COMPOSITION:



- 12 MICRON PETP
- GLUE
- 9 MICRON ALUMINIUM
- GLUE
- 90 MICRON HDPE/HEXENLL BLACK

TECHNICAL VALUES:

WEIGHT	125 G/M2 (EN 22286)	
TENSILE RESISTANCE	MD 67 N/15 MM. (ISO 527)	TD 64 N/15 M (ISO 527)
ELONGATION	MD 51 % (ISO 527)	CD 47 % (ISO 527)
OPTIMAL SEALING CONDITIONS	180°C – 200°C	
SEALING STRENGTH	56 N/15 MM. AT 180°C	
WATER VAPOUR PERMEABILITY	< 0,05 G/M2 /D (DIN 53122)	
OXYGEN IMPERMEABILITY	LESS THAN 0,01 ML / (MQ + D + BAR)	

